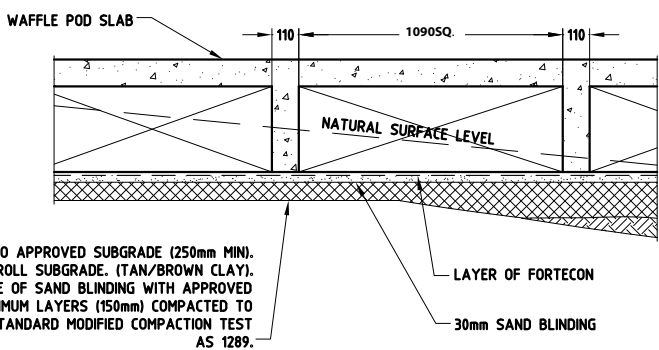
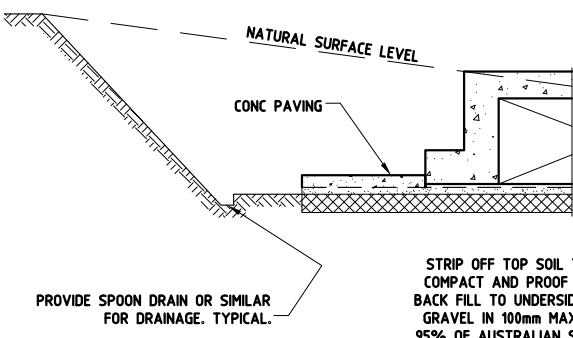
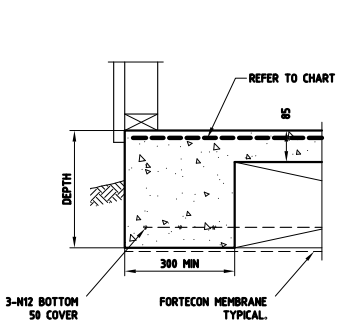


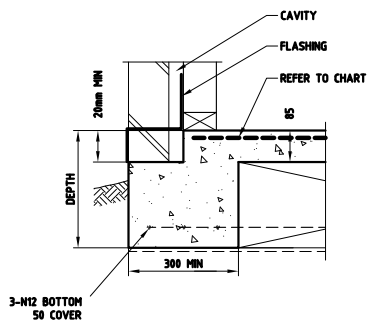
2-N12 TRIMMERS
2000 LONG TO UNDERSIDE OF MESH
50mm APART, TYPICAL AT ALL CORNERS.



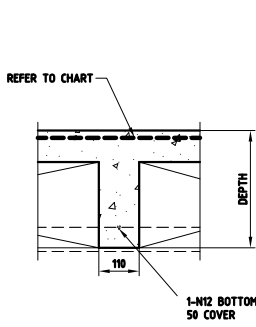
TYPICAL WAFFLE POD SLAB CROSS SECTION DETAIL



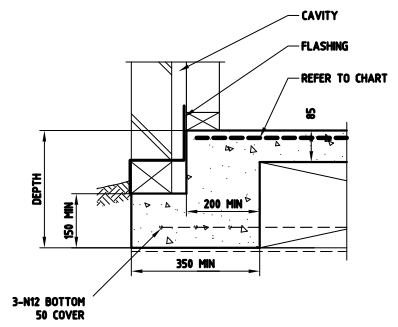
TYPICAL CLAD FRAME
DETAIL
SECTION 1 - 1



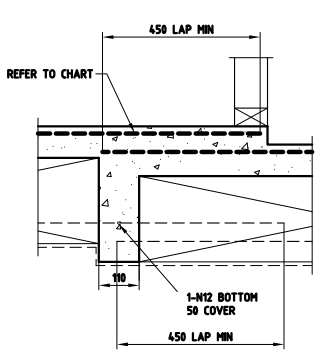
TYPICAL BRICK VENEER
DETAIL
SECTION 1 - 1



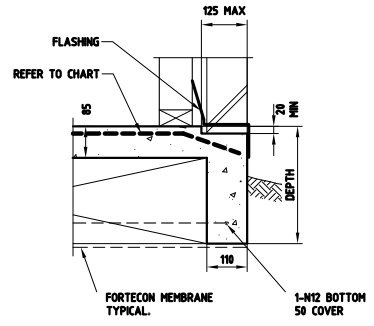
TYPICAL THICKENING BEAM
DETAIL



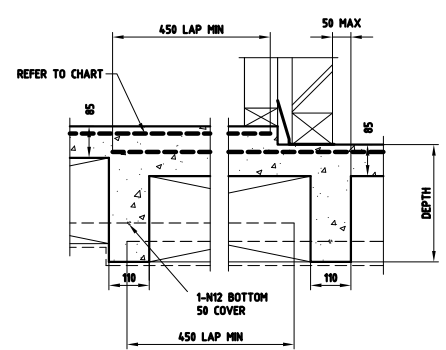
TYPICAL BRICK VENEER
DEEP REBATE DETAIL
SECTION 1 - 1



TYPICAL WET AREA SET
DOWN DETAIL
SECTION 2 - 2 & 4 - 4



TYPICAL EDGE REBATE
THIN STEM DETAIL
ALTERNATE



TYPICAL SET DOWN DETAIL
FOR EXTERNAL WALL
SECTION 3 - 3

